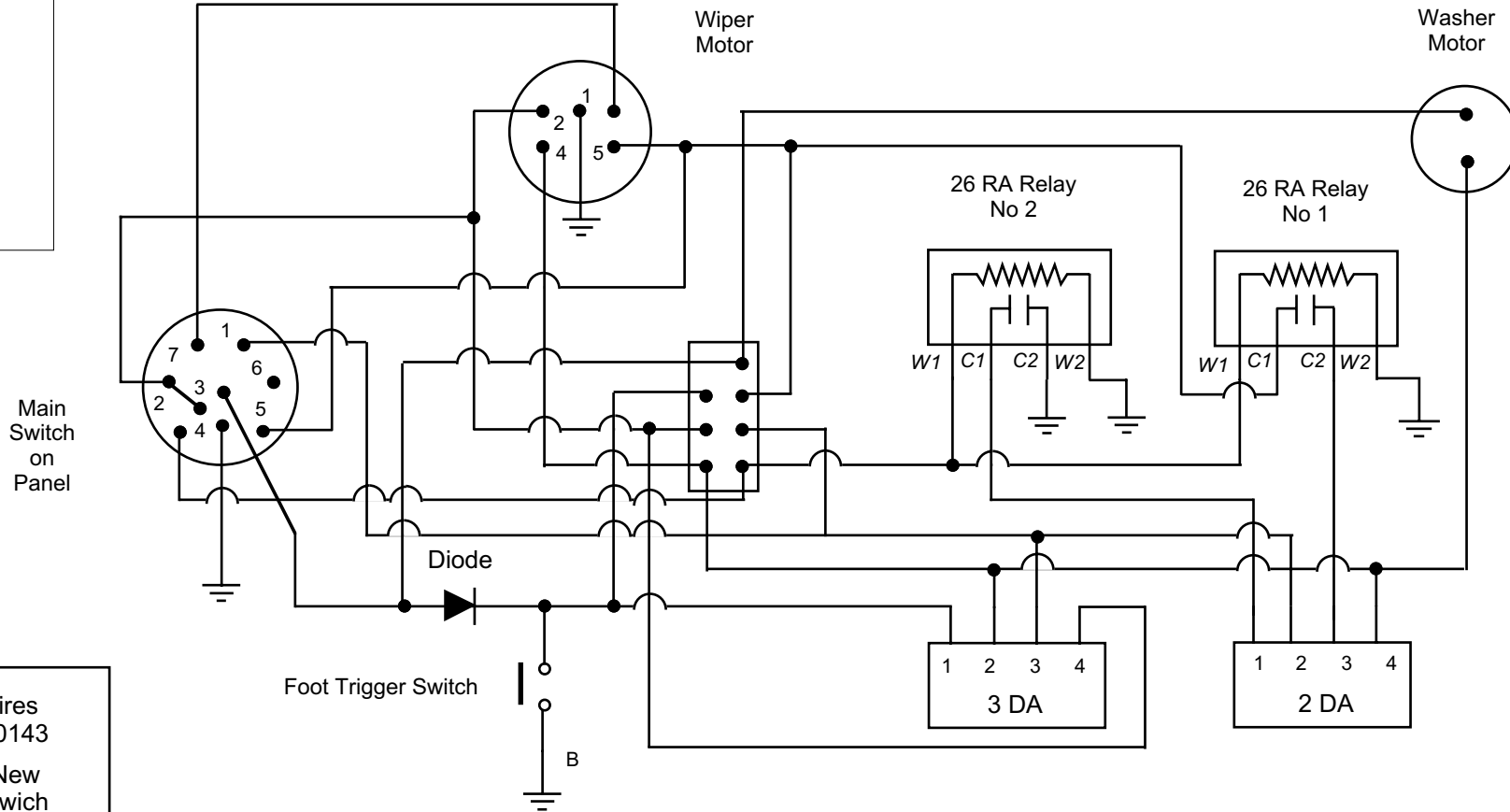


Note:- No colour codes on my source diagrams. To be updated later

Cable Colour Code	
B	Black
U	Blue
N	Brown
G	Green
K	Pink
P	Purple
O	Orange
R	Red
S	Slate (Grey)
V	Violet
W	White
Y	Yellow
Modifiers	
D	Dark
L	Light
M	Medium



Re-route of Wires for Switch B680143		
Old Switch		New Switch
2	↕	7
3	↕	2-3
4	↕	5
5	↕	4
6	↕	1

Wiring Diagram for BRISTOL 603 Wiper Motor Wiring , Intermittant Wipe & Programmed Wash Wipe